

No. 247 / GER 49

# CERTIFICATE OF JUMPING HILL CERTIFICAT DE CONFORMITE SCHANZENPROFILBESTÄTIGUNG

Date of issue 11.10.2014  
Établi le  
Ausgestellt am

Valid till 11.10.2019  
Valable jusq` au  
Gültig bis

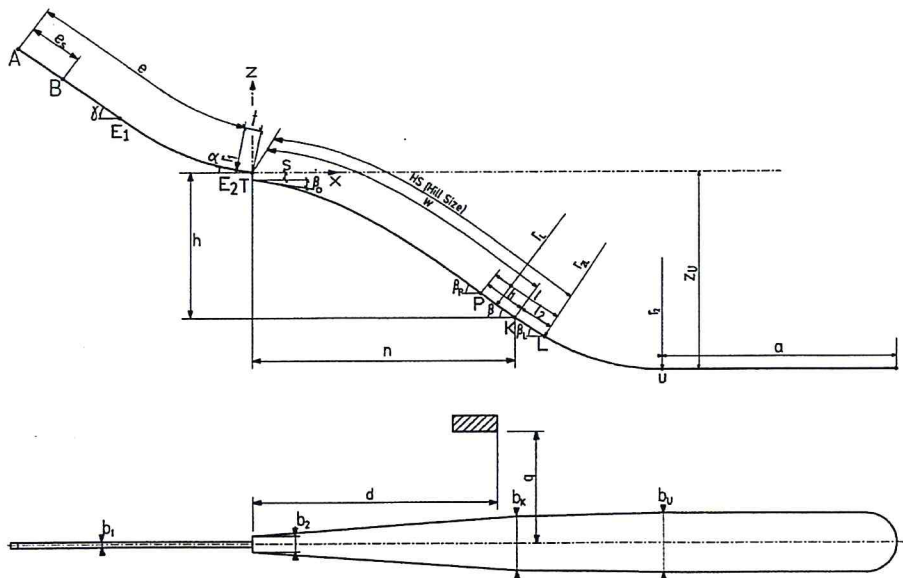
Place: Oberhof

Name: Rennsteig

HS = 100 m

h/n 0,543

Vo = 24,40 m/s



e = 88,16 m  
e<sub>s</sub> = 24,66 m  
t = 6,50 m  
γ = 35,00 °  
α = 11,00 °  
r<sub>1</sub> = 91,00 m  
h = 42,70 m  
n = 78,63 m  
s = 2,10 m

l<sub>1</sub> = 11,00 m  
l<sub>2</sub> = 10,00 m  
a = 72,64 m  
β<sub>p</sub> = 38,00 °  
β = 35,00 °  
β<sub>L</sub> = 32,00 °  
r<sub>L</sub> = 210,00 m  
r<sub>2L</sub> = 180,00 m  
r<sub>2</sub> = 85,00 m

P = 79,00 m  
K = 90,00 m  
L = 100,00 m  
b<sub>1</sub> = 2,50 m  
b<sub>2</sub> = 5,40 m  
b<sub>K</sub> = 18,00 m  
b<sub>U</sub> = 19,80 m  
d = 55,90 m  
q = 29,20 m

## Remarks / Bemerkungen

1. inspection by Josef Slavik (9th Oktober 2014)

JUMPING HILL APPROVED BY THE FIS  
TREPLIN HOMOLOGUE PAR LA FIS  
DURCH DIE FIS GENEHMIGTE SPRUNGSCHANZE

SUB-COMMITTEE FOR JUMPING HILLS

CHAIRMAN:

  
Hans-Martin Renn